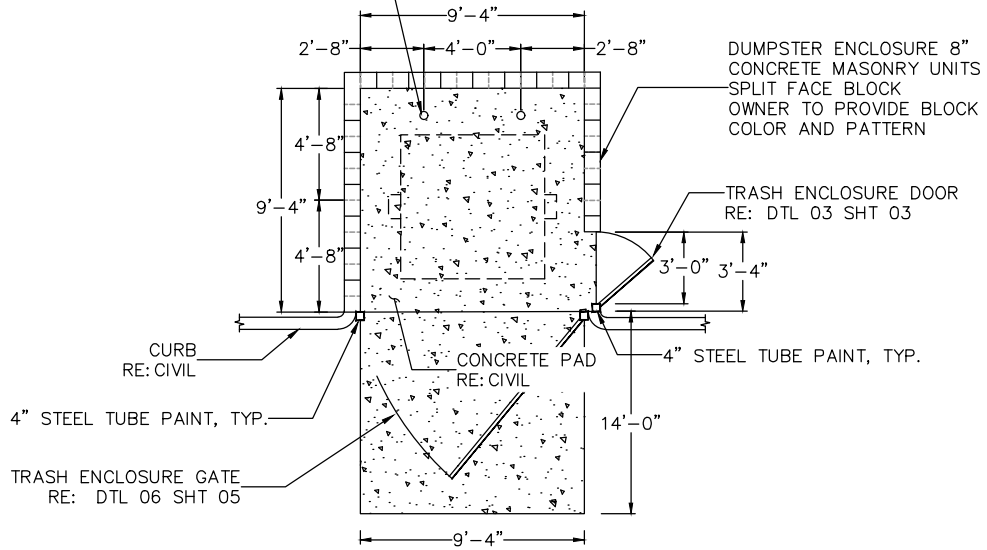
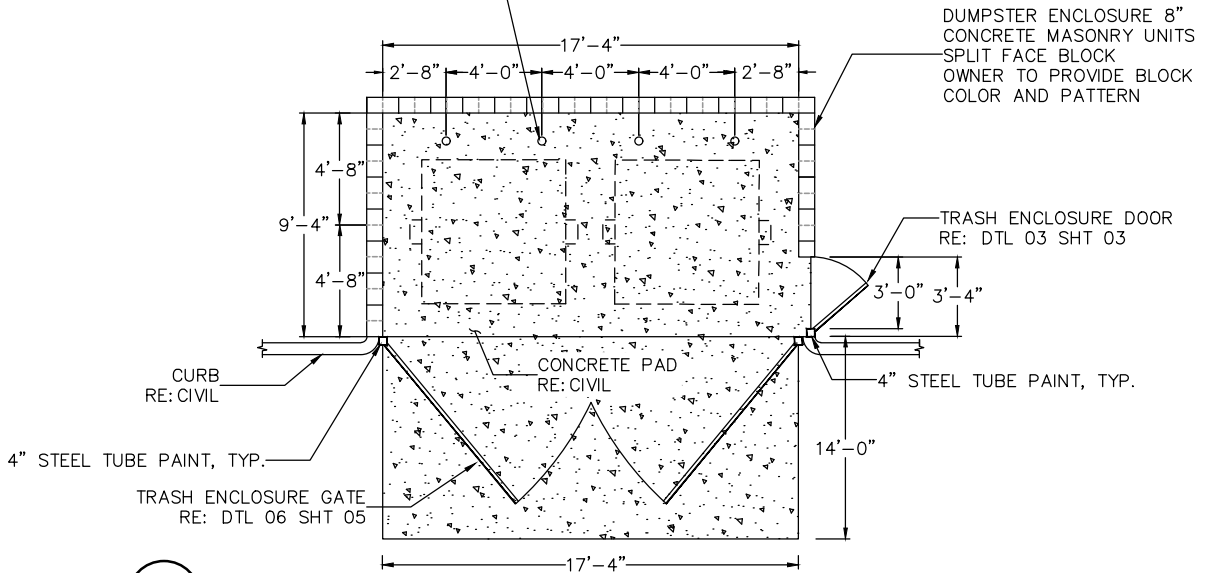


(2) 4" DIA. CONC. FILLED
BOLLARDS, PAINT, TYP.
RE: DTL 05 SHT 05



01A TRASH ENCLOSURE PLAN (SINGLE DUMPSTER)
SCALE: N.T.S.

(2) 4" DIA. CONC. FILLED
BOLLARDS, PAINT, TYP.
RE: DTL 05 SHT 05



01B TRASH ENCLOSURE PLAN (DUAL DUMPSTERS)
SCALE: N.T.S.



CITY OF UNIVERSAL CITY
DEPARTMENT OF PUBLIC WORKS

DUMPSTER ENCLOSURE DETAIL

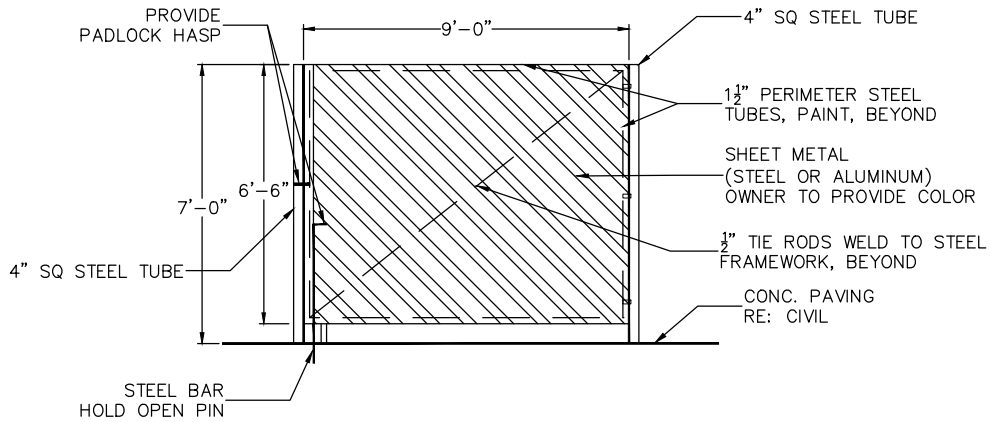
THE ARCHITECT/ENGINEER ASSUMES RESPONSIBILITY FOR APPROPRIATE USE OF THIS STANDARD.
RECORD COPY SIGNED BY RANDY LUENSMANN, PUBLIC WORKS DIRECTOR.

ADOPTED: 10/01/2019

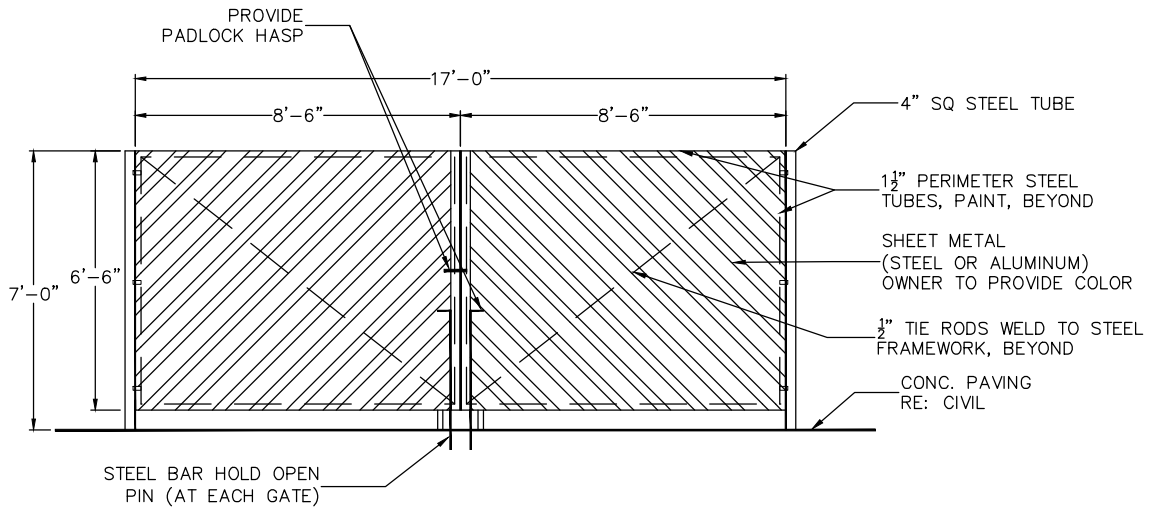
REVISED: 12/13/2019

STANDARD NO.
DET-DED-00

1 OF 5



02A TRASH ENCLOSURE ELEVATION (SINGLE GATE)
SCALE: N.T.S.



02B TRASH ENCLOSURE ELEVATION (DOUBLE GATE)
SCALE: N.T.S.



CITY OF UNIVERSAL CITY
DEPARTMENT OF PUBLIC WORKS

DUMPSTER ENCLOSURE DETAIL

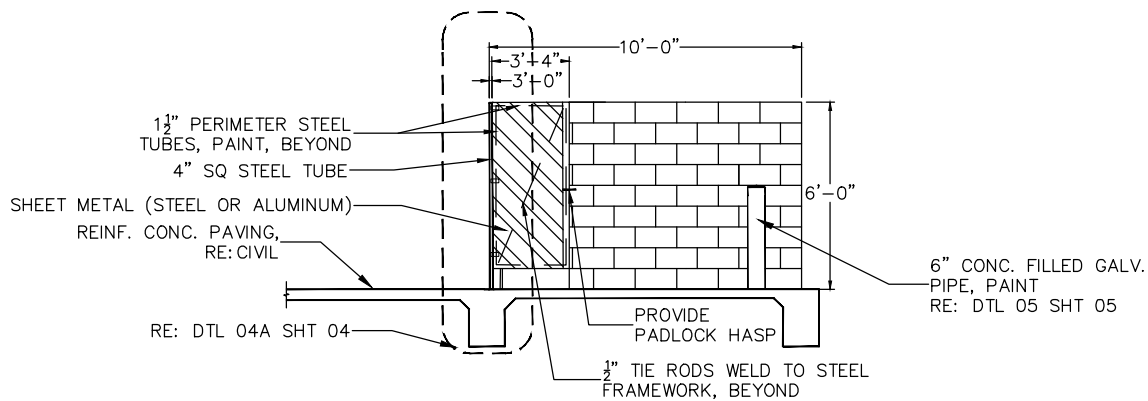
THE ARCHITECT/ENGINEER ASSUMES RESPONSIBILITY FOR APPROPRIATE USE OF THIS STANDARD.
RECORD COPY SIGNED BY RANDY LUENSMANN, PUBLIC WORKS DIRECTOR.

ADOPTED: 10/01/2019

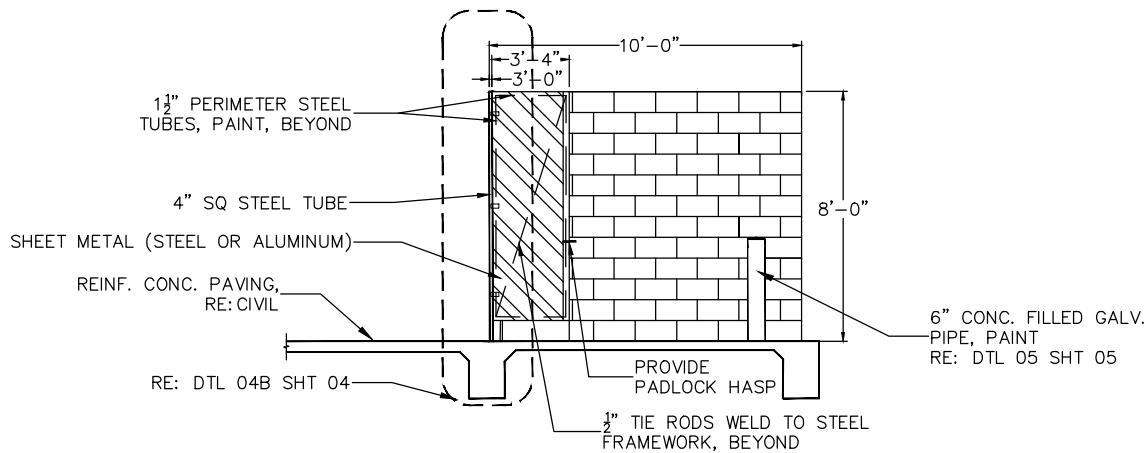
REVISED: 12/13/2019

STANDARD NO.
DET-DED-00

2 OF 5



03A TRASH ENCLOSURE ELEVATION 6FT HEIGHT
SCALE: N.T.S.

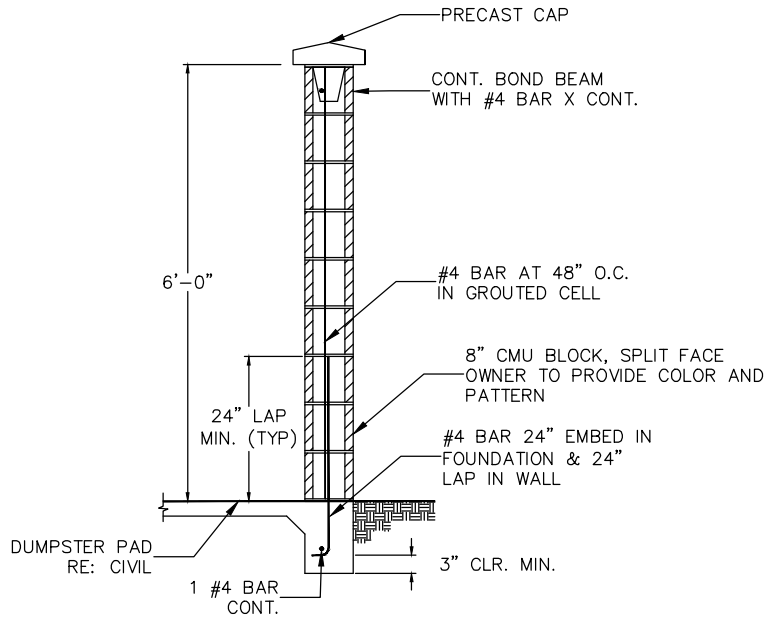


03B TRASH ENCLOSURE ELEVATION 8FT HEIGHT
SCALE: N.T.S.

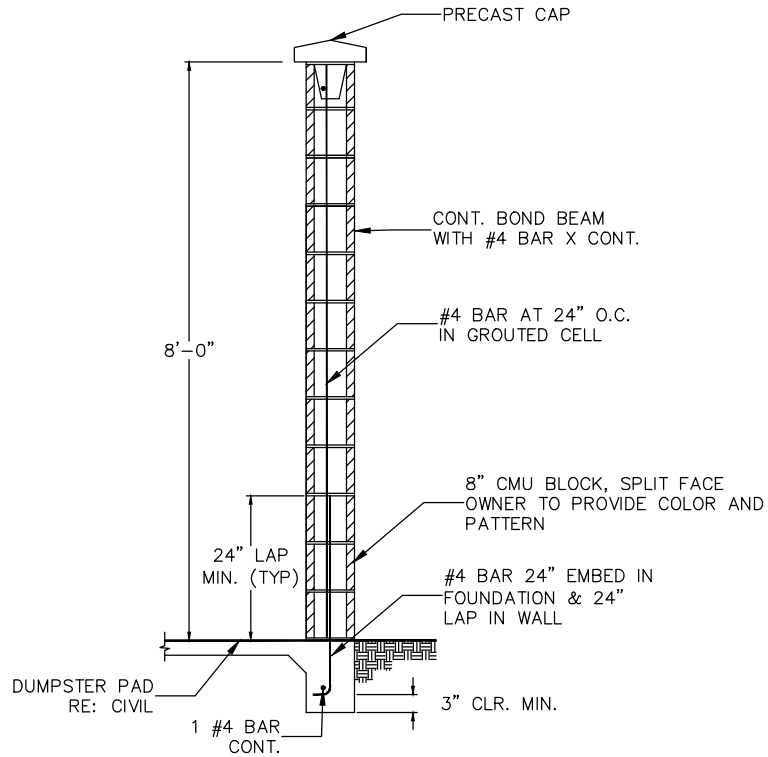


CITY OF UNIVERSAL CITY DEPARTMENT OF PUBLIC WORKS
DUMPSTER ENCLOSURE DETAIL
THE ARCHITECT/ENGINEER ASSUMES RESPONSIBILITY FOR APPROPRIATE USE OF THIS STANDARD. RECORD COPY SIGNED BY RANDY LUENSMANN, PUBLIC WORKS DIRECTOR.

ADOPTED: 10/01/2019 REVISED: 12/13/2019
STANDARD NO. DET-DED-00 3 OF 5



04A TRASH ENCLOSURE 6FT CMU WALL SECTION
SCALE: N.T.S.

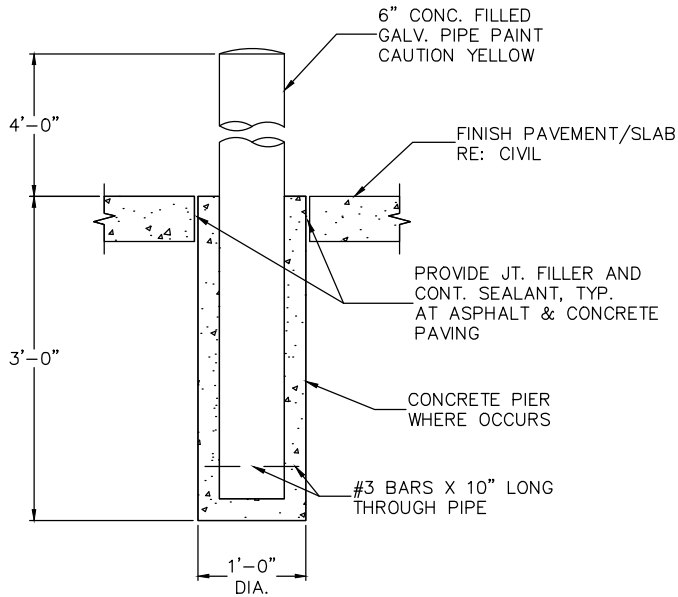


04B TRASH ENCLOSURE 8FT CMU WALL SECTION
SCALE: N.T.S.

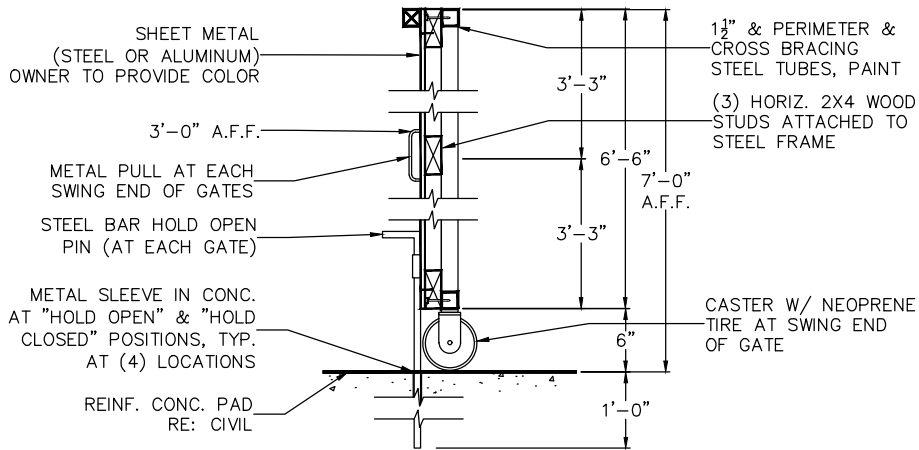


CITY OF UNIVERSAL CITY DEPARTMENT OF PUBLIC WORKS
DUMPSTER ENCLOSURE DETAIL
THE ARCHITECT/ENGINEER ASSUMES RESPONSIBILITY FOR APPROPRIATE USE OF THIS STANDARD. RECORD COPY SIGNED BY RANDY LUENSMANN, PUBLIC WORKS DIRECTOR.

ADOPTED: 10/01/2019 REVISED: 12/13/2019
STANDARD NO. DET-DED-00 4 OF 5



05 CONCRETE BOLLARD
SCALE: N.T.S.



06 TRASH ENCLOSURE GATE
SCALE: N.T.S.

NOTE:
BOTH GATES MUST
OPEN A FULL 180
DEGREES



CITY OF UNIVERSAL CITY
DEPARTMENT OF PUBLIC WORKS

DUMPSTER ENCLOSURE DETAIL

THE ARCHITECT/ENGINEER ASSUMES RESPONSIBILITY FOR APPROPRIATE USE OF THIS STANDARD.
RECORD COPY SIGNED BY RANDY LUENSMANN, PUBLIC WORKS DIRECTOR.

ADOPTED: 10/01/2019
REVISED: 12/13/2019

STANDARD NO.
DET-DED-00
5 OF 5